

LEVELUK SD SERIES



KANGEN WATER®

CHANGE YOUR WATER... CHANGE YOUR LIFE™.



MRP: ₹ 297000

www.enagic.co.in

Kangen Water® Basics



WHAT TO KNOW ABOUT STRONG ACIDIC WATER & STRONG KANGEN WATER®

What is Strong Acidic Water?

Strong Acidic Water is a type of electrolyzed water containing hypochlorous acid produced by the anodes. It is produced as a result of adding electrolysis enhancer to the electrolysis reaction. In general, the pH is below 2.7 and the ORP is over 1,100mV. It is not a strong acidic chemical substance.

What is Strong Kangen Water®?

Strong Kangen Water® is a type of electrolyzed water with an electron potential containing sodium hydroxide produced by the cathode. In general,

the pH is over 11.0 and the ORP is 700mV or less. It is not a strong alkaline substance.

What is ORP?

ORP (Oxidation Reduction Potential) is a value that measures the proportion of oxidizing ions (such as chloride ions) and reduction ions (such as calcium ions) in a solution. If this is a negative value, this solution is an electron donor and can be easily oxidized. If this is a positive value, the solution is an oxidizing solution and can be easily reduced. This value is shown in mV(millivolt) and is used as a reference to display the degree of chemical reaction.





(PUSH)
 STRONG ACID BUTTON

***PH 2.7 and below**

(PUSH)
 ACID BUTTON

***PH 4 - 6**

(PUSH)
 CLEAN WATER BUTTON

***PH 7 (same as tap water)**

SANITARY WATER

Disinfecting

Excellent cleaning and disinfecting power
 Strong acidic water has excellent disinfecting power that help prevent food poisoning.
 Use it to clean & sterilize your produce, meat & cookware.

To sanitize knives, cutting boards and dish towels

To disinfect your hands

To disinfect your toothbrushes

To clean your skin

To remove tea and coffee stains

To eliminate odors

BEAUTY WATER

Healthy & hygienic

Astringency
 Effective power to tighten substance
 Cleaning Power
 Splendid power to purify substances
 Weak acid for beauty use

Acidic water is especially effective in toning the skin. It helps to refresh the skin after a hot bath or shower and also works to close the pores after washing your face.

For boiling pasta and making batters for frying. Noodles and pasta will take on a brilliant shine and improved texture as a result of boiling then in acidic water. Acidic water will also enhance the batter and crispy texture of fried foods.

As a cleaner. Acidic water is effective in cleaning stains on dishes, cups, glasses, even bathroom tiles.

CLEAN WATER

Gentle for everyday use

Use clean water to take medications and make baby formula

The three-layered, high-power water filter removes not only chlorine but also sediment such as rust and impurities. Clean water tastes delicious and is filled with essential minerals. Clean water is best used to take medications and in making baby formula.



(PUSH)
 KANGEN BUTTON

***PH 8.5 - 9.5**

(PUSH)
 STRONG ACID BUTTON

*** PH 11 and higher**

HEALTHY KANGEN WATER®

Innovative Water

Swelling Power:

Softens materials quickly.

Dissolving Power:

Ability to dissolve and draw out substances.

Thermal Conduction:

Reduces boiling time.

Kangen Water® improves the taste of your drinking water and food.

With coffee or tea. Taste and aroma are everything. Using less coffee and tea, but pulling out more flavor, you'll be amazed at the color, taste and aroma and achieve a fuller, richer taster.

With other strongly acidic foods. Drink Kangen Water® together when eating strongly acidic foods such as meat and eggs. The alkaline water helps your body balance the acidic effects.

When making soups and stews. Kangen Water® draws out the flavor of ingredients so your cuisine turns out tender and juicy. You'll need less seasoning, making it perfect for people trying to reduce their intake of salt.

Use for washing vegetables. Use Kangen Water® to remove the raw taste of onions and other strong-flavored vegetables.

In cooking rice. Kangen Water® used to wash and cook rice brings out delicious and fluffy rice.

ENVIRONMENTALLY FRIENDLY WATER

Green Cleansing Power

Cleaning Power:

Effectively dissolves & cleans materials.

Swelling Power:

Softens materials quickly.

Dissolving Power:

Ability to dissolve and draw out substances.

Thermal Conduction:

Reduces boiling time.

Strong Kangen Water® packs an effective cleaning effect as a detergent preserving hygiene in your daily life.

To clean cutting boards, knives and dishes.

To sterilize vegetables, meats.

To remove slime and stains on the floor.

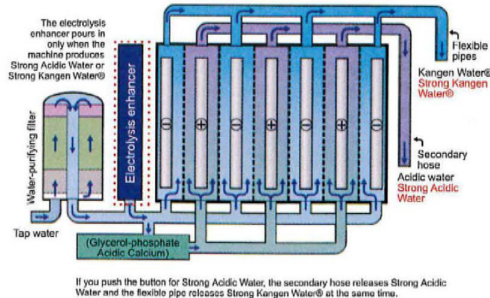
To remove toilet stains.

To remove stains from coffee & sauces.

To use for washing clothes (reduces the need for laundry detergents)

To remove the harsh taste of wild vegetables.

Machine Basics



With a compact design and easy to use, the SD501 has seven electrode plates to ensure sufficient power.

The SD501's powerful yet compact electrolysis cell is equipped with seven electrode plates. An ample amount of electrolyzed water with an ORP of approximately +1,130mV and -800mV can be produced in short time. This unique design is made possible by loading the electrolysis cell with seven, platinum-plated titanium electrode plates. Kangen Water® produced through the electrolysis chamber is heavy with negative ions such as hydroxide (OH-) and positive ions such as calcium and hydrogen.

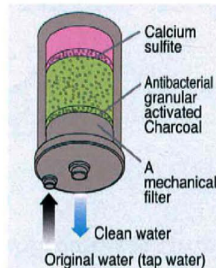
A large LCD and voice-prompt in 5 languages makes for easy use.

A clear, easily-viewable LCD and voice prompts guide you in producing the 4 types of water (Kangen Water®, acidic water, Strong Acidic Water and clean water). With only the touch of a button, the machine is extremely easy to operate.

In order to make the usage of the Leveluk SD501 Platinum, easier for users throughout the world, the display and voice guidance can be changed between English, Spanish, Italian, French, and German at the users discretion.

Fully-equipped with an electrolysis enhancer tank. Continuously producing Strong Acidic Water and Strong Kangen Water®.

A built-in electrolysis enhancer tank provides a simple and quick means of adding electrolysis enhancer, needed to produce Strong Acid Water and Strong Kangen Water®. Using this electrolysis enhancer (0.93pt) produces approximately 8 gallons of Strong Acidic Water in about 30 minutes, depending on the water quality.



DELICIOUS WATER DELIVERED THROUGH A THREE-LAYERED, HIGH-POWER FILTER

Enagic's triple layer filter, with a spherical antibacterial active carbon that meets NSF guidelines, is composed of a mechanical filter, and calcium sulfite, which is approved as a food additive (in some countries there may be exceptions). It produces healthy water and removes chlorine, rust, muddiness, and does not eliminate important minerals. Filter change will be notified by the LCD, voice or alarm sound (Jr. II does not have sound notification.)

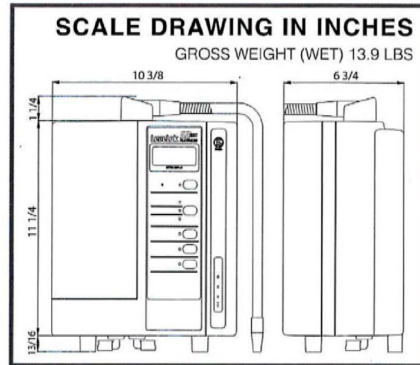
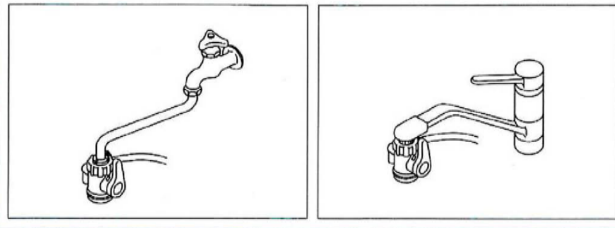
Standards & Specifications (SD501PT)

- OPTIONAL ITEMS
 REPLACEMENT WATER FILTER
 · High-Grade Filter for chlorine removal
 GLYCEROL-PHOSPHATE ACIDIC CALCIUM
 ELECTROLYSIS ENHANCER
 E-CLEANER
 CLEANING POWDER

HG-N
 (3g x 12 packs/box)
 (6 bottles of 400g)

APPROPRIATE DIVERTER & ADAPTER COME INCLUDED WITH YOUR SD SERIES

FAUCET TYPES FOR APPROPRIATE DIVERTERS



With the one-touch convenience of the diverter, change between...



WARNING

- Please read the Operation Manual carefully and follow all instructions.
- Pay strict attention to the following points before consuming Ionized Alkaline Water (Kangen Water®):
 - Do not take medicine(s) with Kangen Water®.
 - Those with acidity conditions should not consume Kangen Water®.
 - Should you experience any abnormal feelings after consuming Kangen Water®, discontinue use immediately. Also, consult with your physician prior to consuming Kangen Water® should you have any concerns.
- Those under the care of a physician should consult with their physician before consuming Kangen Water®.
- Those with sensitive skin or allergies should consult their physician before consuming Kangen Water®.
- Those with allergic reactions or sensitivity to acidic water should consult their physician.

CAUTION

- For those drinking Kangen Water® for the 1st time: It is recommended that you start drinking Kangen Water® at 8.5pH with 1-2 glasses/day for one week.
- You can then gradually increase the pH level.
- Should you experience a rash after drinking Kangen Water®: Those with allergies to certain foods may experience rash-like symptoms. Consult with your physician.
- All items described in this brochure should be used in the ASIA only.
- Use municipally-treated tap water.

MODEL NAME – NUMBER	Leveluk SD 501 T/H-401NF
WATER SOURCE CONNECTION	1-way diverter (TAP/ION) connects to end of faucet
POWER SUPPLY	AC 220V, 60Hz (Grounded)
POWER CONSUMPTION	Approx. 230W (under max. electrolysis function)
SYSTEM	Continuous Ionized Electrolysis Water Generator System (with built-in flow-rate sensor)
PRODUCTION RATE (gallons/minute)	Kangen Water®: 0.5–1.0 gallons Acidic Water: 0.4–0.7 gallons Strong Acidic Water: 0.16–0.3 gallons
LEVEL SELECTIONS	Kangen Water®/3 levels (approx. pH8.5–9.5) Clean water (neutral) Acidic water (approx. pH5.5–6.5) Strong Acidic water (approx. pH2.3–2.7) Strong Kangen Water® (approx. pH11.0–)
ELECTROLYSIS CAPABILITY UNDERCONTINUOUS USE	Approx. 30 min. at normal, room temperature.
CELL CLEANING METHOD	Auto cleaning System (periodically controlled by microcomputer)
ELECTRODE MATERIAL	Platinum-plated Titanium

WATER FILTER	FILTERING MEDIUM	Anti-bacterial Granular Activated Charcoal & Calcium Sulfite
	FILTRATION ABILITY	INITIAL CHLORINE REMOVAL 95% or more
	ELEMENTS NOT REMOVABLE	Metallic ions and/or salinity present in original tap water
APPLICABLE WATER QUALITY AND PRESSURE		Municipally supplied drinking water with a dynamic range in 100–450 kPa
ELECTROLYSIS ENHANCER		Forced dissolving type additive system. One time addition produces approx. 1.0–1.3 gallons of Strong Acidic Water
ENHANCER REFILLING		Notification by voice, alarm and LCD.
PROTECTOR		Current limiter, voltage stabilizer & thermal protection



WaterStore Kochi,
 39/1609, RS Tower, Metro Pillar #552,
 Near JLN International Stadium,
 Ernakulam, Kerala-682025.
 ☎ +91 484 3516888, 97453 84888.
 email : kochi@waterstore.in

*The specifications or appearance of the products are subject to manufacturer's improvements without prior notice. Please be aware that actual products may differ slightly in color, etc from that seen in print.
 For more information about the product, please inquire with the sales dealer in your district or area. Every product has an accompanying warranty card, which shall be filled in and issued by the Representative Sales Firm. Please check the contents and keep it in safe place for later use during the period of warranty.*



The Enagic Osaka Plant has obtained the following certifications.
 ISO 9001:2008, ISO 14001:2004